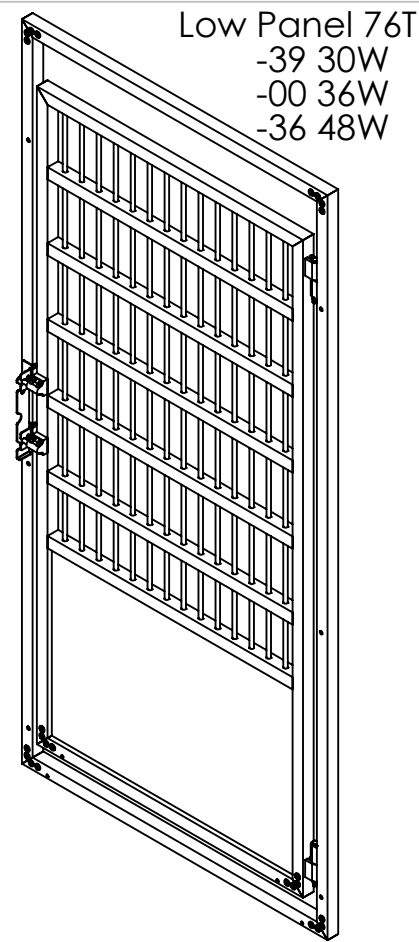
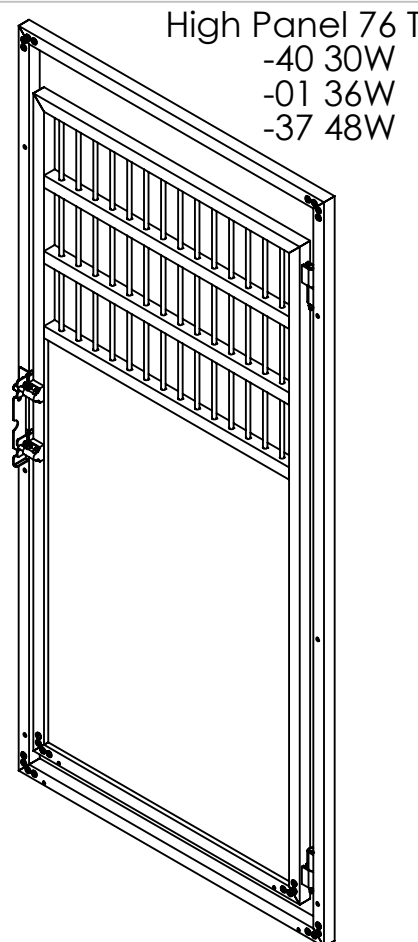


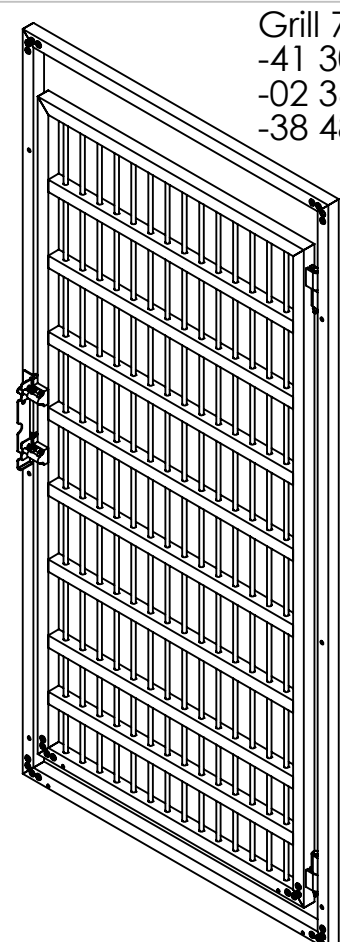
REV	DATE	DESCRIPTION	DRW	APP
		See Filemaker		



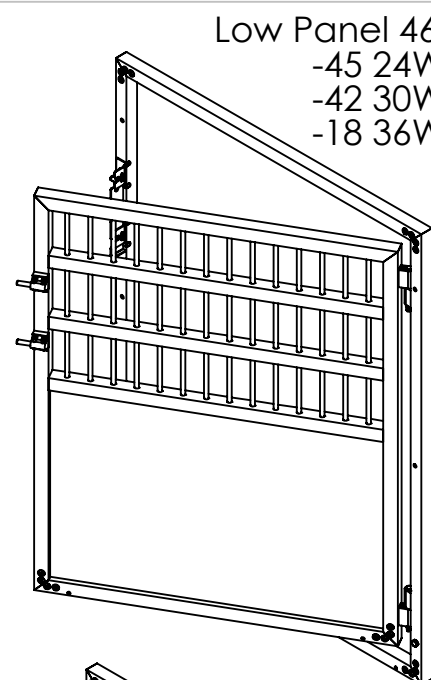
Low Panel 76T
-39 30W
-00 36W
-36 48W



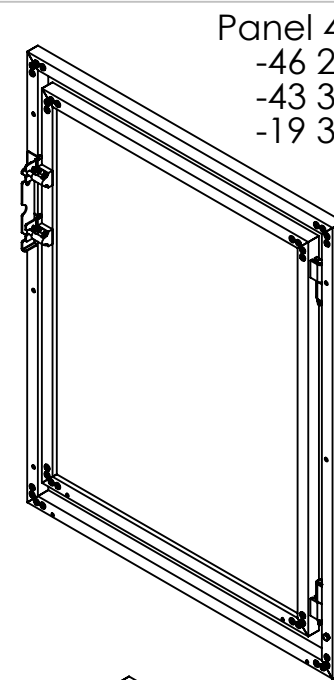
High Panel 76 T
-40 30W
-01 36W
-37 48W



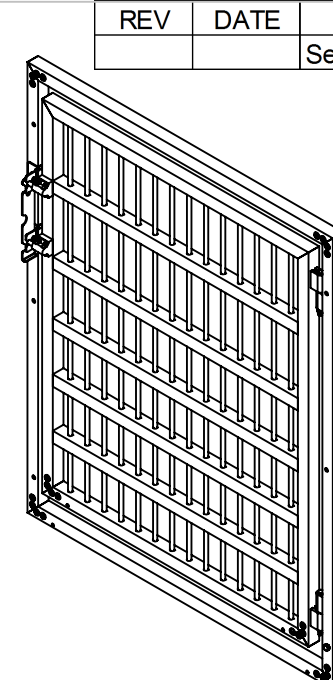
Grill 76T
-41 30W
-02 36W
-38 48W



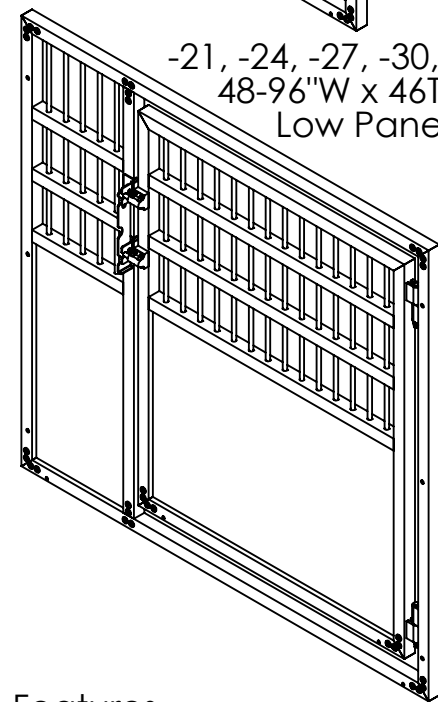
Low Panel 46T
-45 24W
-42 30W
-18 36W



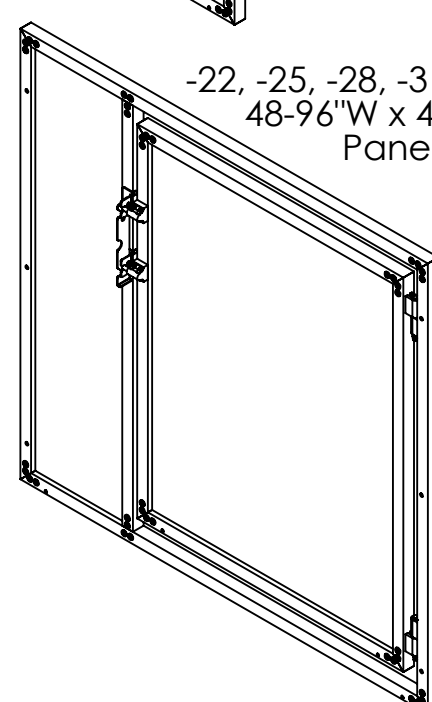
Panel 46T
-46 24W
-43 30W
-19 36W



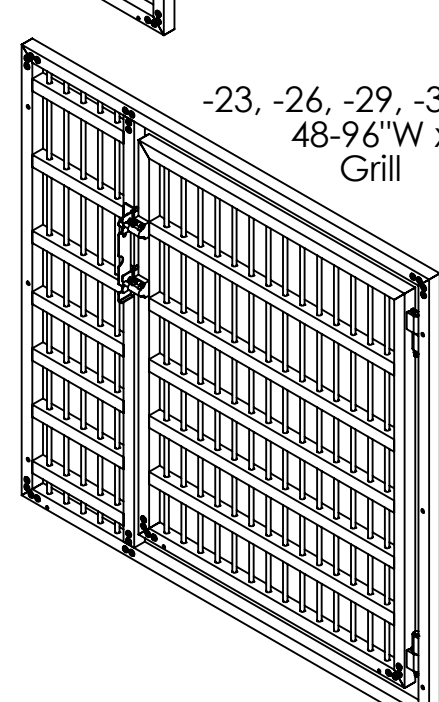
Grill 46T
-47 24W
-44 30W
-20 36W



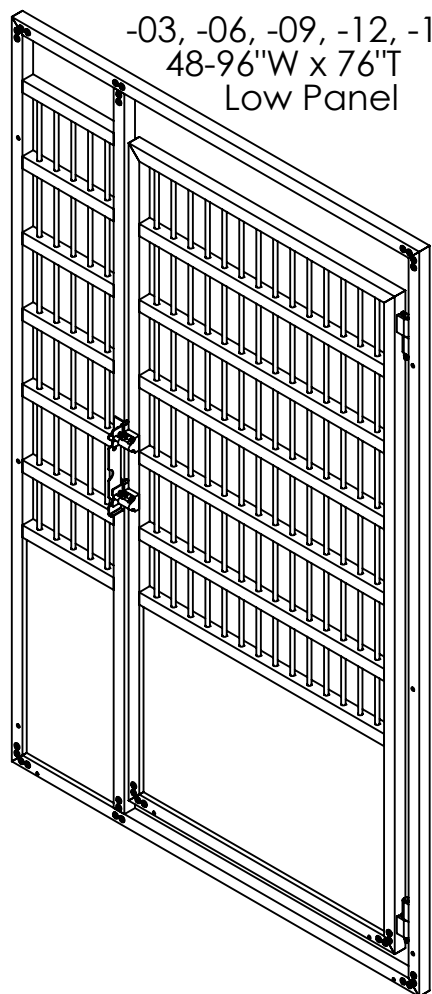
-21, -24, -27, -30, -33
48-96"W x 46T"
Low Panel



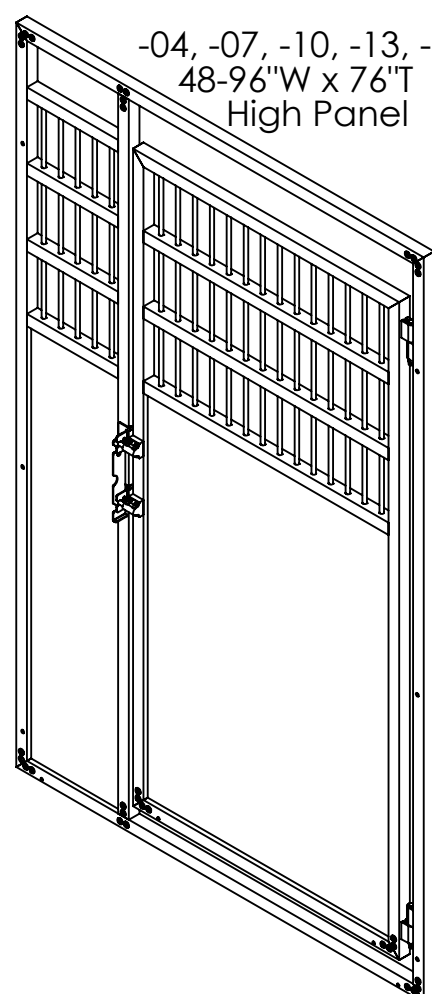
-22, -25, -28, -31, -34
48-96"W x 46T"
Panel



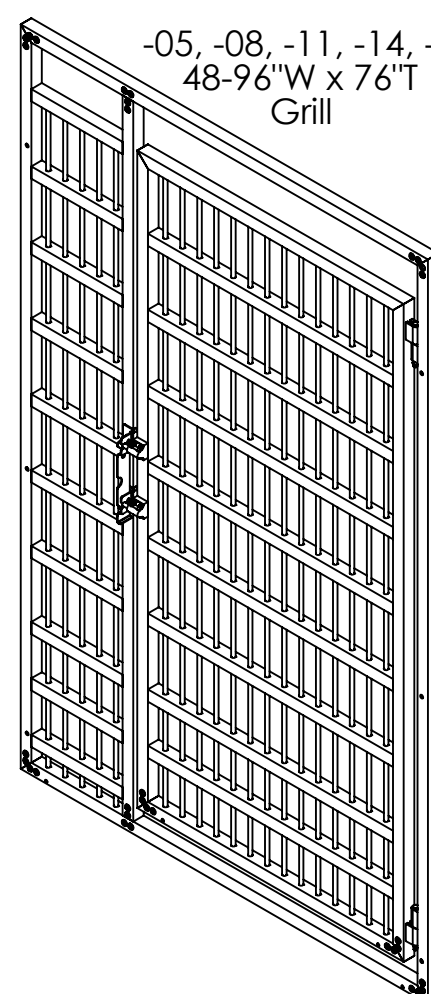
-23, -26, -29, -32, -35
48-96"W x 46T"
Grill



-03, -06, -09, -12, -15
48-96"W x 76T"
Low Panel



-04, -07, -10, -13, -16
48-96"W x 76T"
High Panel



-05, -08, -11, -14, -17
48-96"W x 76T"
Grill

Features

1. Fabricated from 1 1/4 round corner heavy wall aluminum tubing
2. Includes stainless steel hardware
3. 5/16 dia Mounting hardware supplied by installer
4. Panels are rugged 1/4 thick ABS Plastic, mounted to accommodate thermal expansion
5. 3/8 dia aluminum bars on 2" centers
6. Rugged Stainless steel latch with double locking mechanism
7. Padlock ready for extra security
8. Bolts directly on to SMPP Kennel Panels for turnkey kennel solutions
9. Latches can be mounted on either side so gate can swing right or left



LARSON SYSTEMS INC.

10073 Baltimore St. NE PH. 763-780-2131
Mpls., MN 55449 FAX. 763-780-2182

APPROVALS	Swing Gate Systems		
DRAWN	DAL	DWG. NO.	025-0000-0761-XXB
DATE	B	SCALE: NONE	REV:
10/03/2010			SHEET 1 OF 8

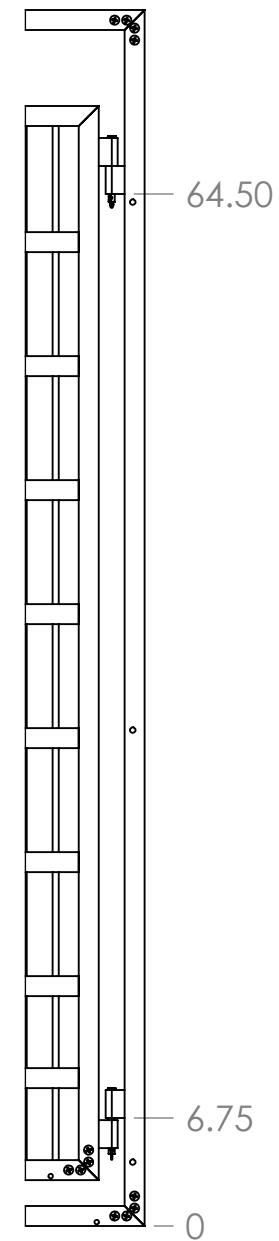
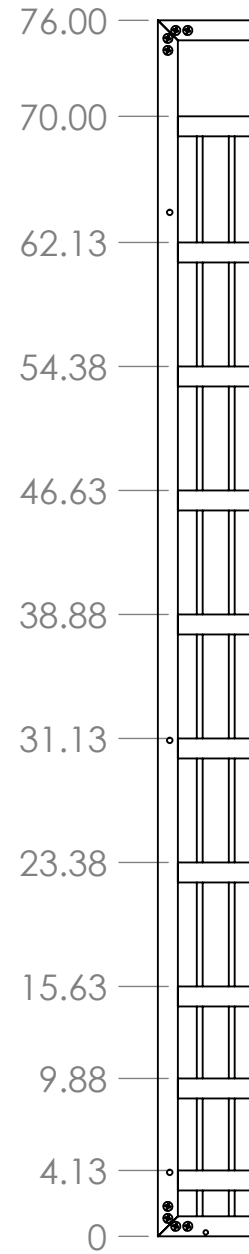
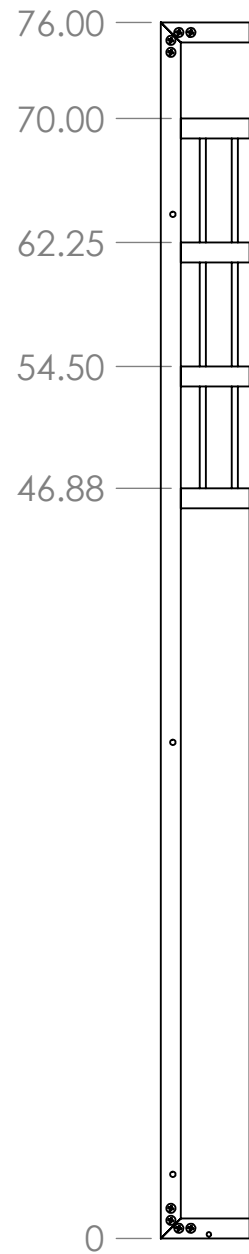
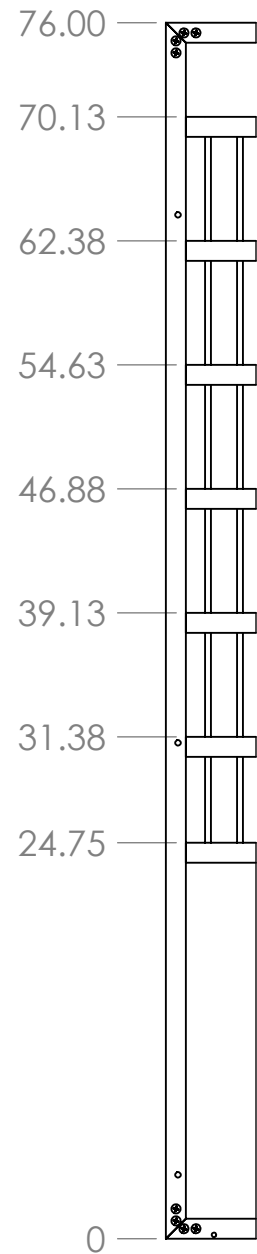
REV	DATE	DESCRIPTION	DRW	APP
		See Filemaker		

-03, -06, -09, -12, -15

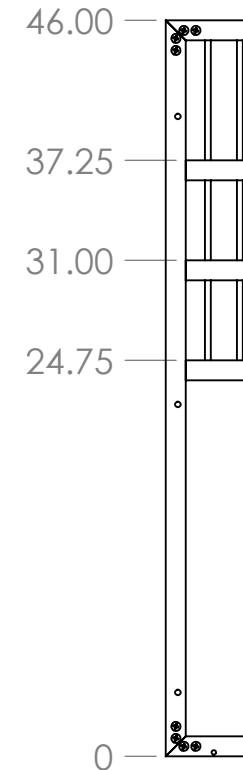
-04, -07, -10, -13, -16

-05, -08, -11, -14, -17

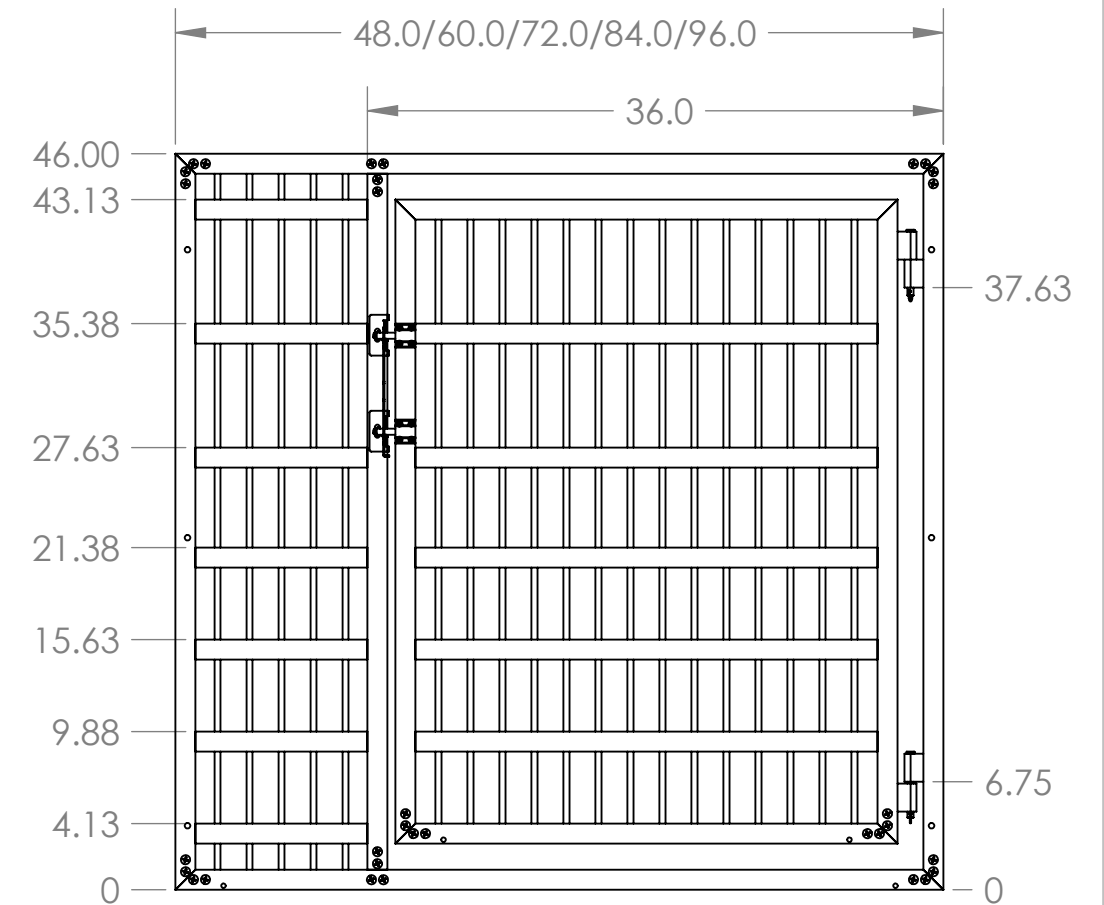
-00 to -17,
-36 to 41



-21, -24, -27, -30, -33




-23, -26, -29, -32, -35



Note:

This gate system is custom built for you and upon approval by you the gate system will be built to this specification and is noncancellable and non returnable

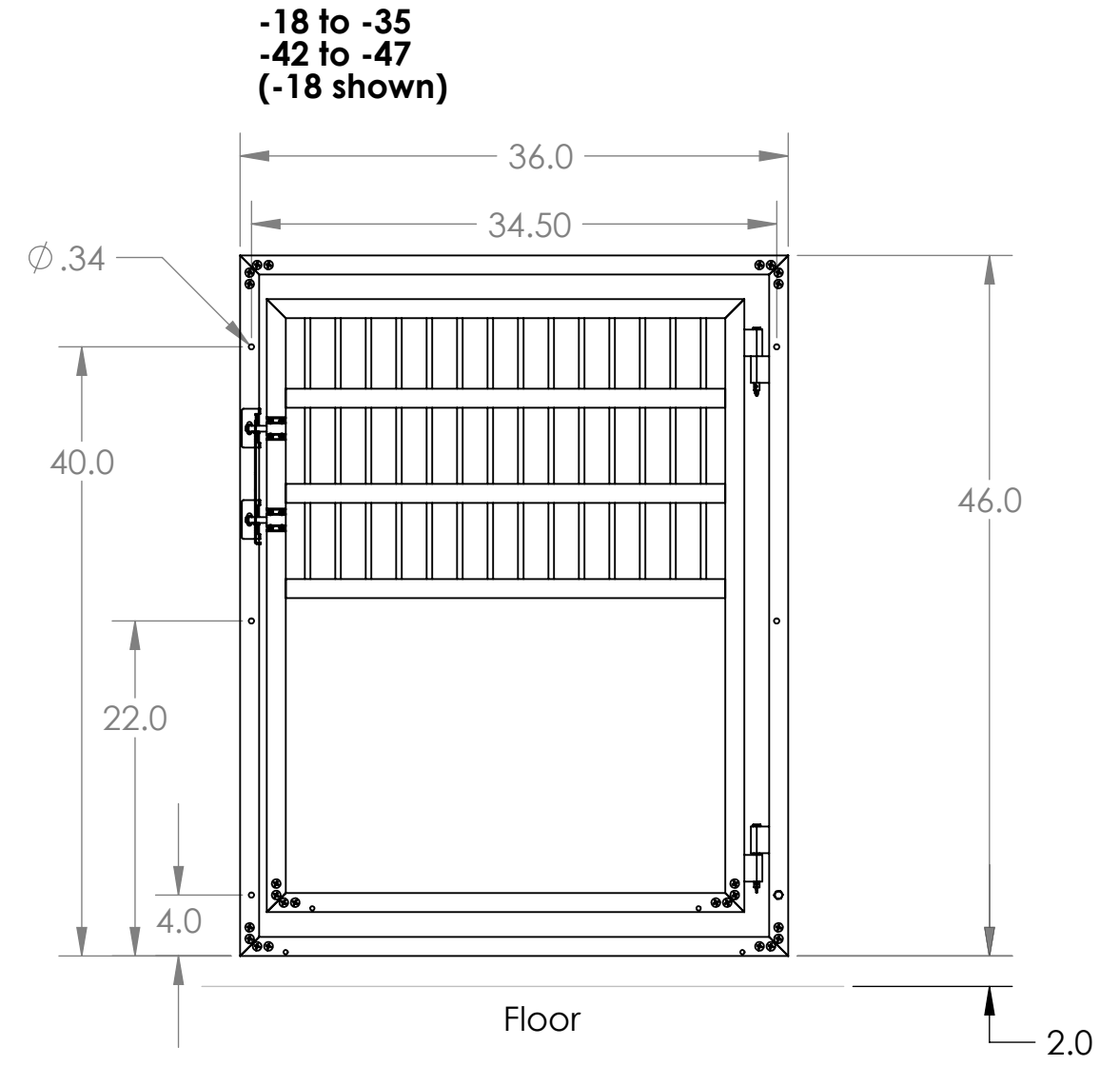
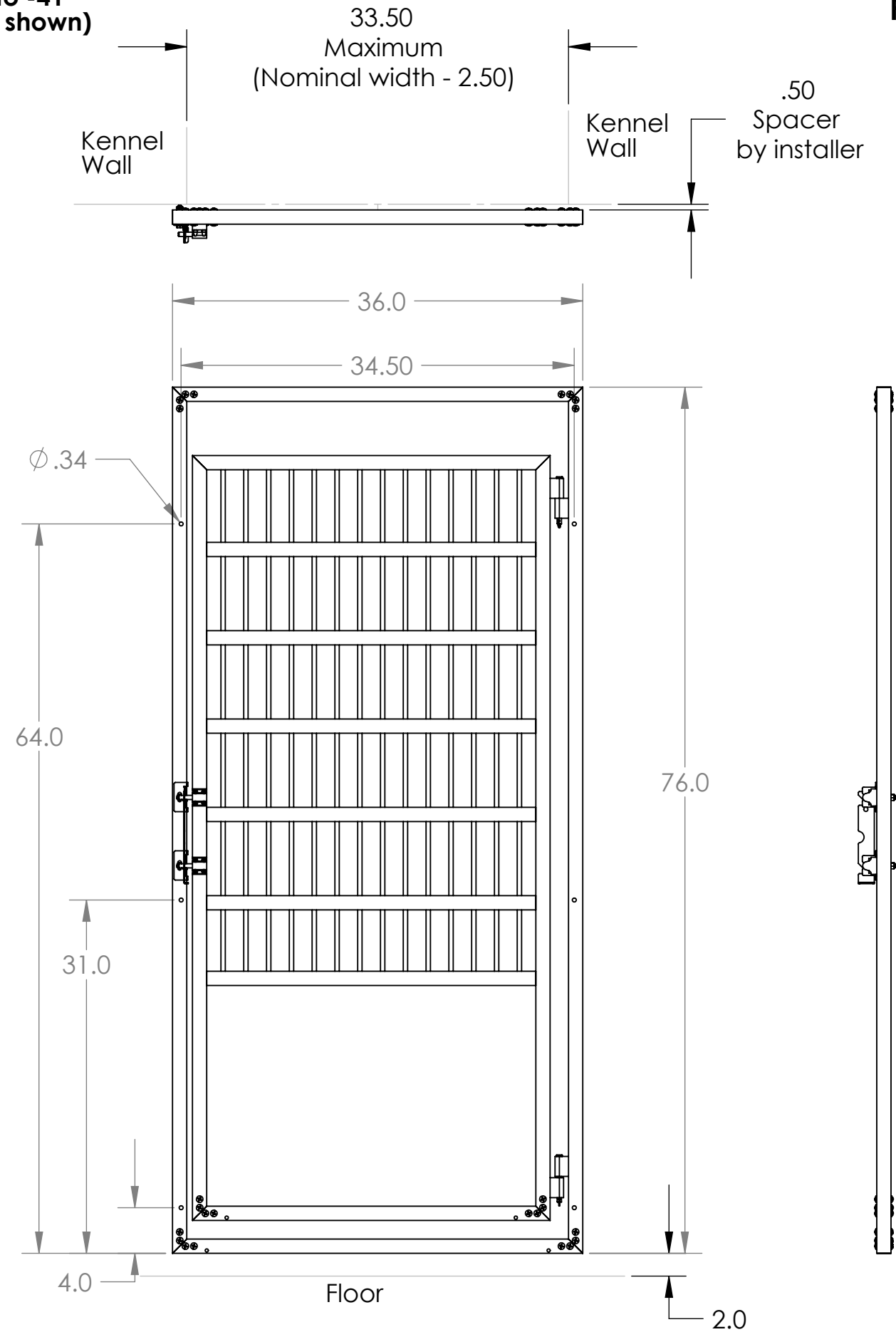
Approved by: _____
Date: _____

		<p>LARSON SYSTEMS INC. 10073 Baltimore St. NE PH. 763-780-2131 Mpls., MN 55449 FAX. 763-780-2182</p>	
APPROVALS	DATE	<p>B</p>	<p>DWG. NO. 025-0000-0761-XXB</p>
DRAWN DAL	10/03/2010		
APP.		<p>SCALE: NONE</p>	
APP.		<p>SHEET 2 OF 8</p>	

-00 to -17
-36 to -41
(-00 shown)

Face Mounting

REV	DATE	DESCRIPTION	DRW	APP
		See Filemaker		



LARSON SYSTEMS INC.

10073 Baltimore St. NE PH. 763-780-2131
Mpls., MN 55449 FAX. 763-780-2182

APPROVALS	DATE
DRAWN DAL	10/03/2010
APP.	
APP.	

Swing Gate Systems

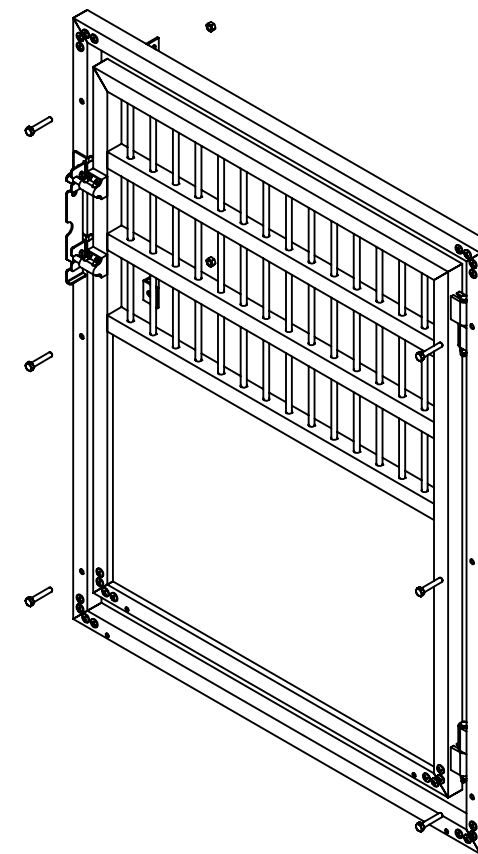
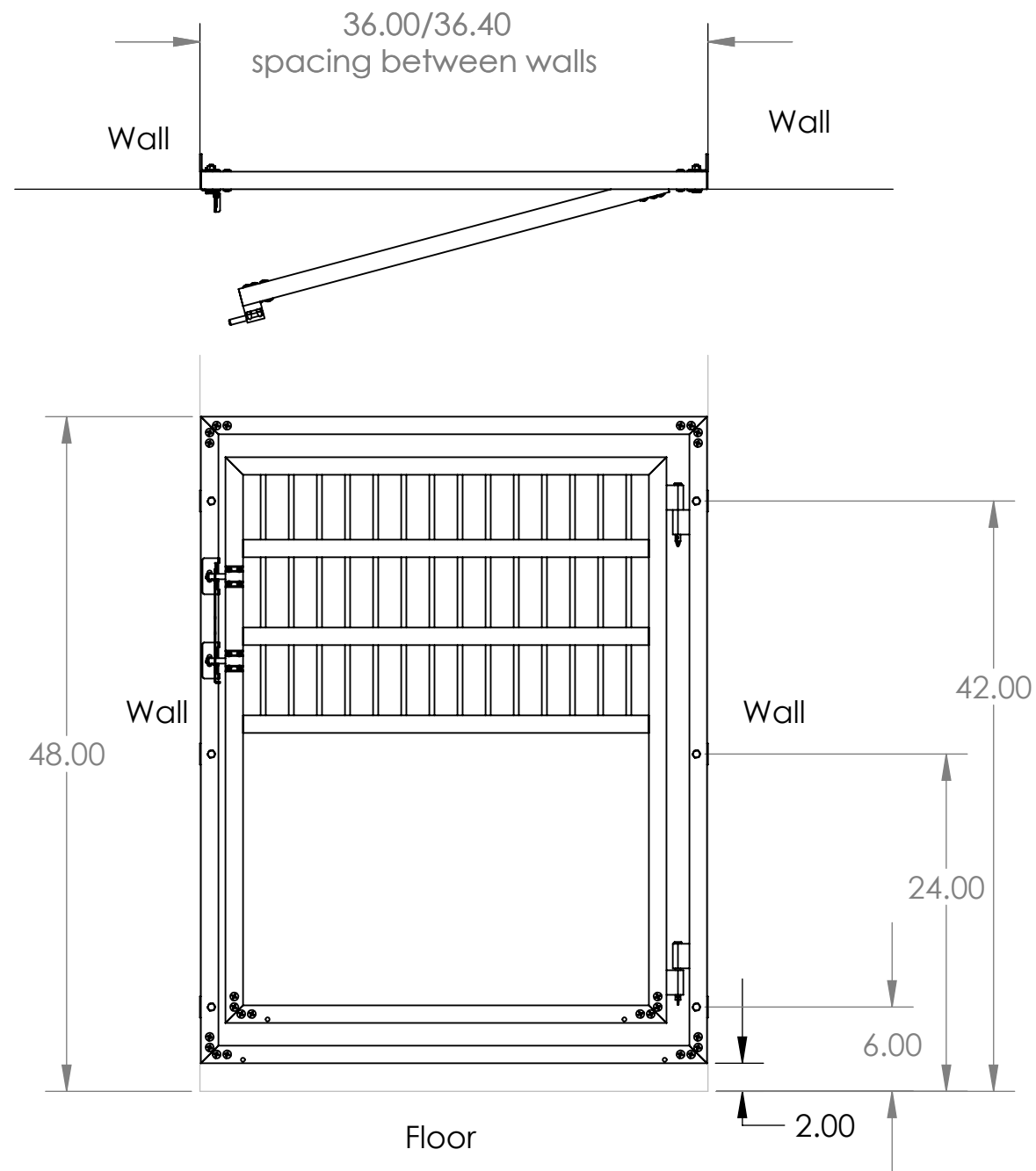
B DWG. NO. 025-0000-0761-XXB REV:

SCALE: NONE

SHEET 3 OF 8

REV	DATE	DESCRIPTION	DRW	APP
		See Filemaker		

**Flush Mounting Option
-18 36W"x46T" shown**



Optional - Kennel Gate Frame
Flush Mounting Kit
025-0000-0806-00

NOTE:

1. wall spacing must be nominal gate width (36", 48", 60", 72", 84", 96") plus .40" minus 0" (wider spacing can be accomplished with user supplied spacers)
2. gates can be mounted to swing left or right



LARSON SYSTEMS INC.

10073 Baltimore St. NE PH. 763-780-2131
Mpls., MN 55449 FAX. 763-780-2182

APPROVALS	DATE
DRAWN DAL	10/03/2010
APP.	
APP.	

Swing Gate Systems

B DWG. NO. 025-0000-0761-XXB REV:

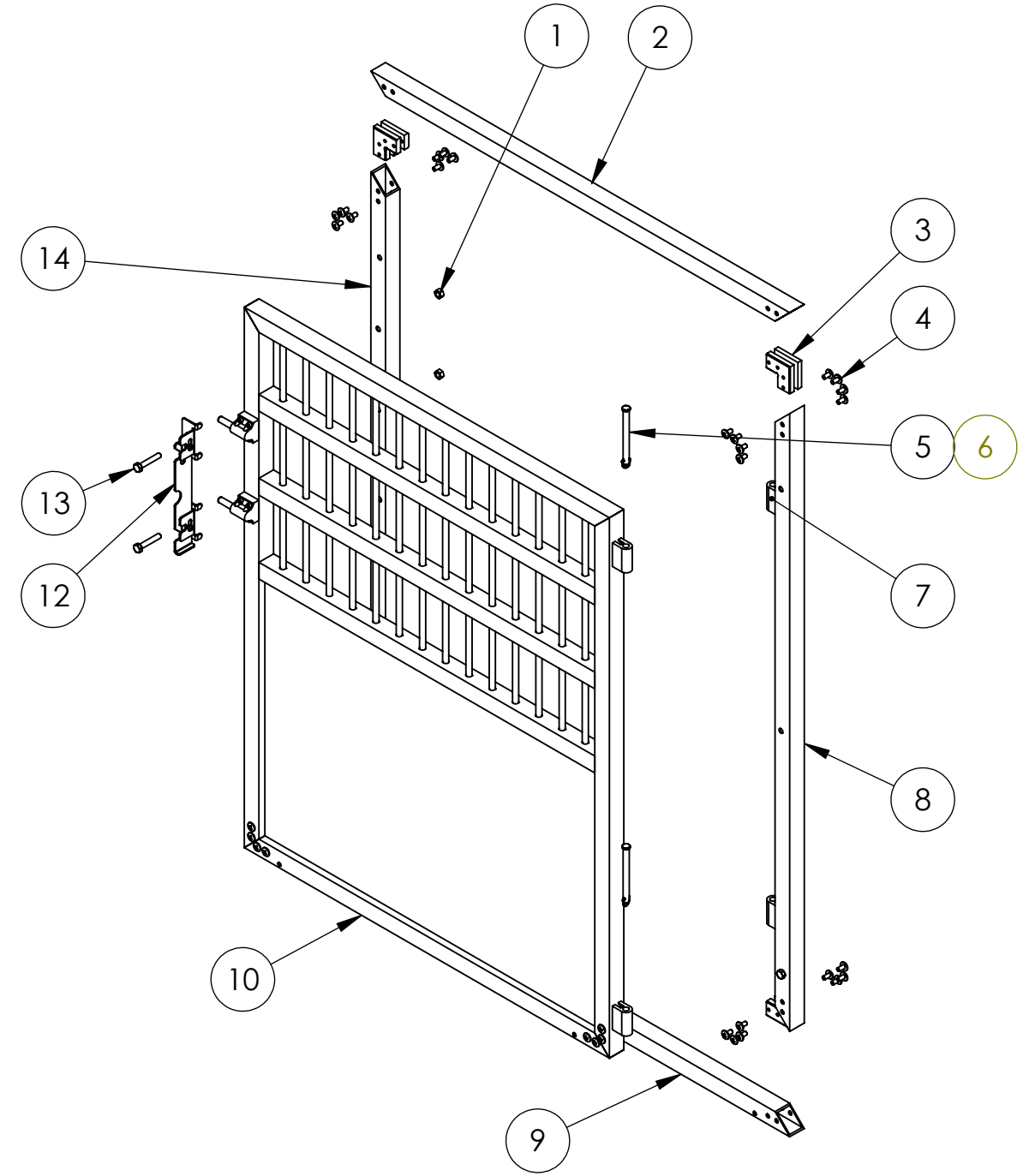
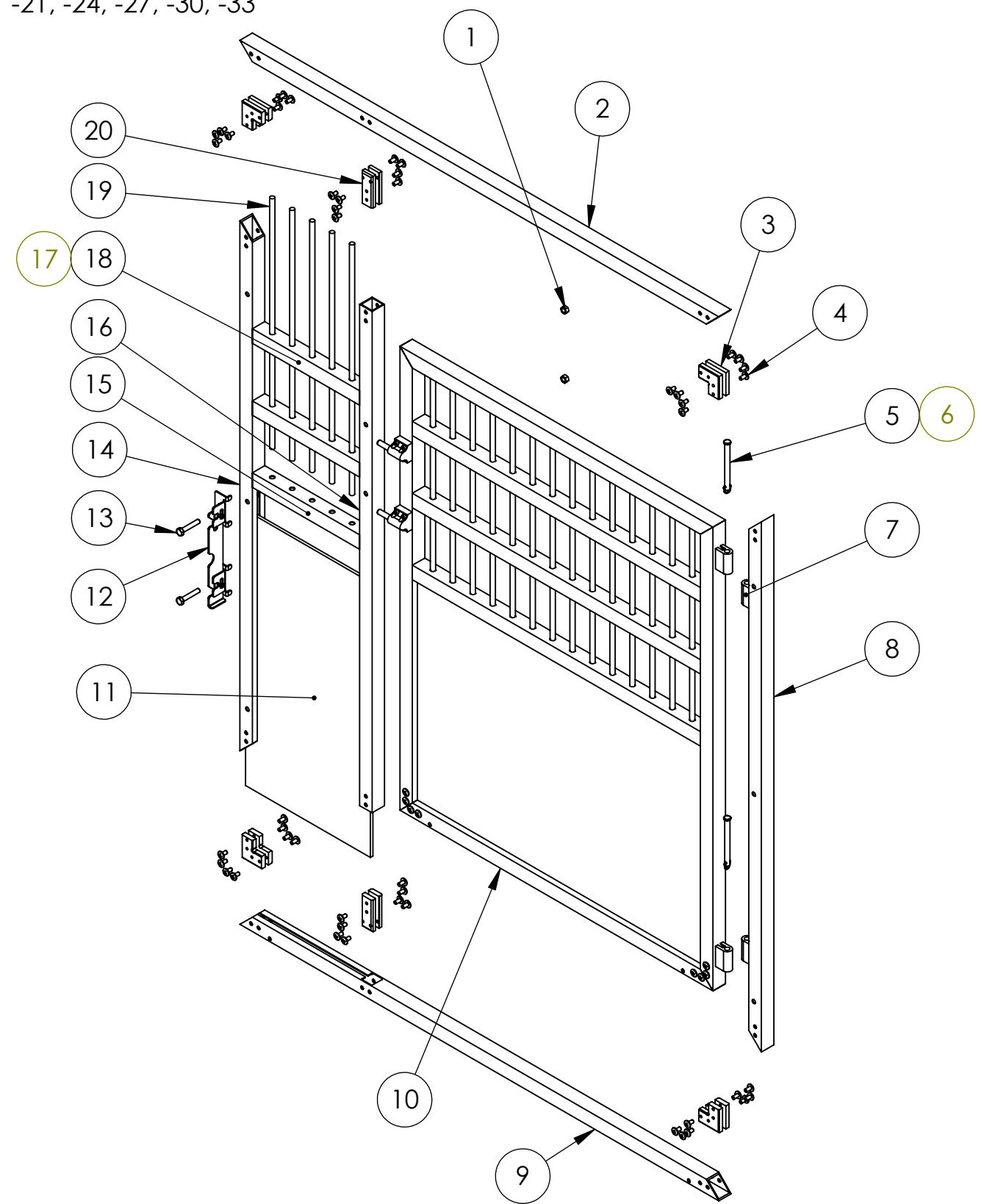
SCALE: NONE

SHEET 4 OF 8

REV	DATE	DESCRIPTION	DRW	APP
		See Filemaker		

-03, -06, -09, -12, -15
 -04, -07, -10, -13, -16
 -21, -24, -27, -30, -33

-00, -01, -02, -18, -19, -20
 -36 to -47



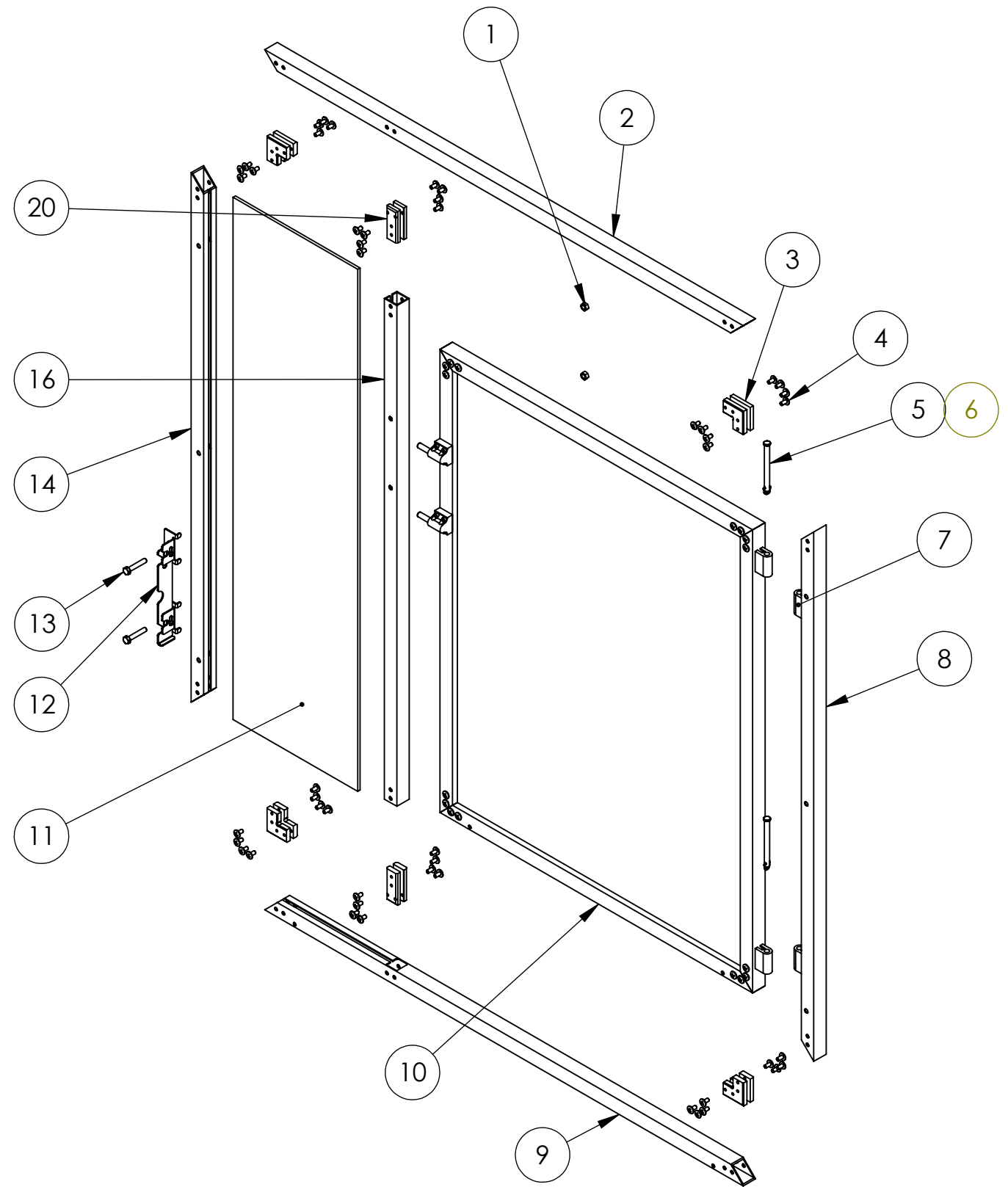
LARSON SYSTEMS INC.

10073 Baltimore St. NE PH. 763-780-2131
 Mpls., MN 55449 FAX. 763-780-2182

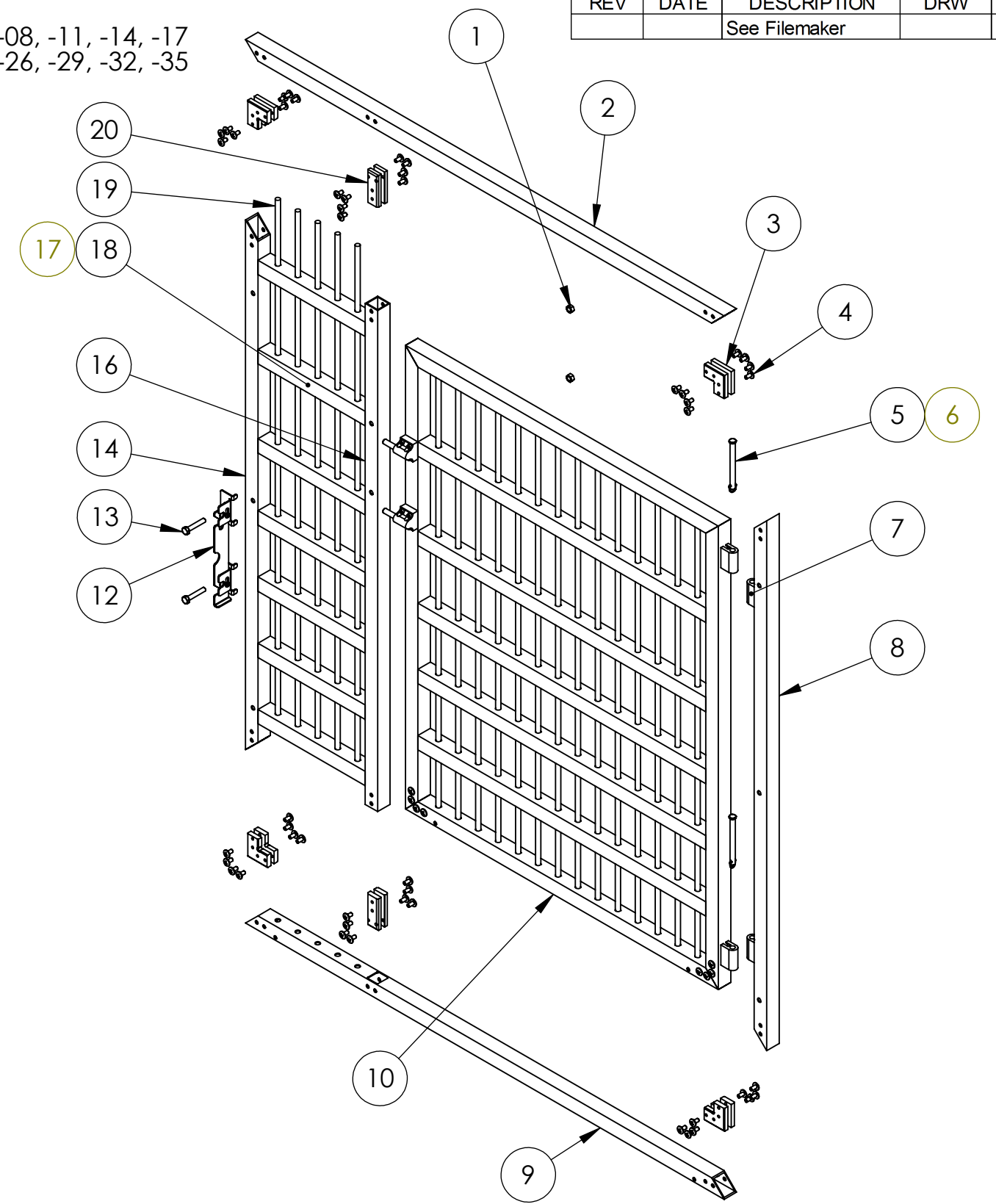
APPROVALS	DATE	Swing Gate Systems	REV:
DRAWN DAL	10/03/2010		
APP.		B	DWG. NO. 025-0000-0761-XXB
APP.			SCALE: NONE

REV	DATE	DESCRIPTION	DRW	APP
		See Filemaker		

-22, -25, -28, -31, -34



-05, -08, -11, -14, -17
-23, -26, -29, -32, -35



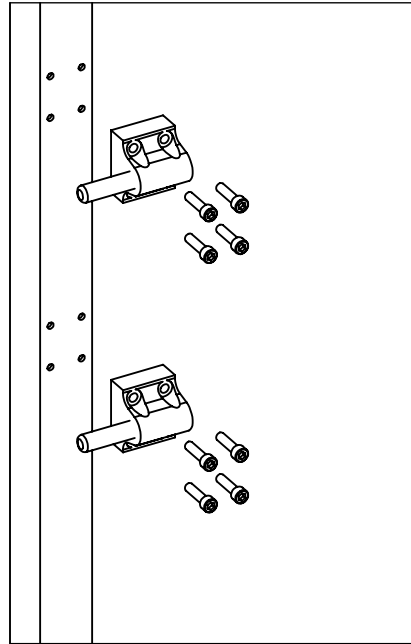
LARSON SYSTEMS INC.

10073 Baltimore St. NE PH. 763-780-2131
Mpls., MN 55449 FAX. 763-780-2182

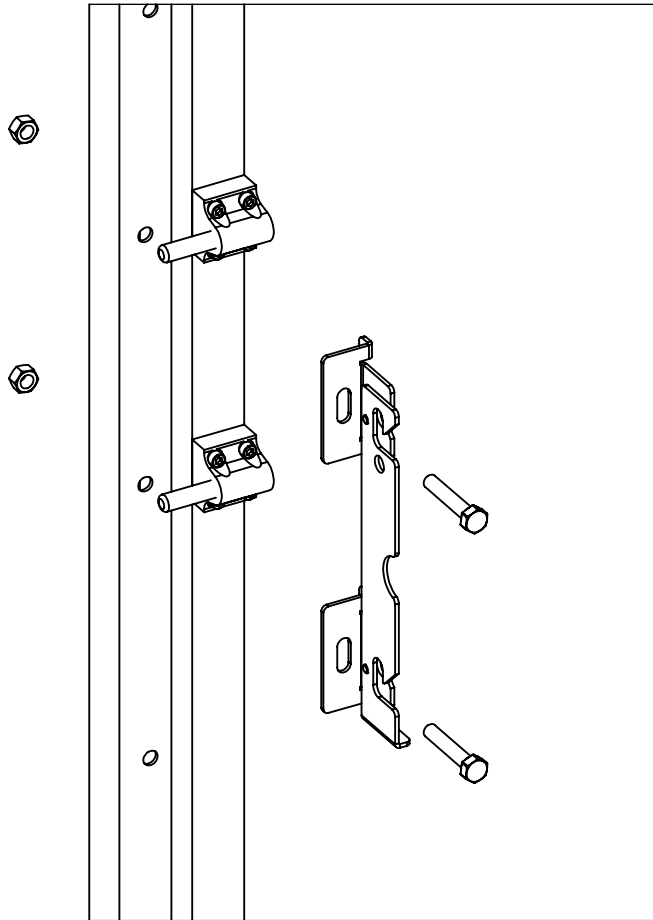
APPROVALS	DATE	Swing Gate Systems	REV:
DRAWN DAL	10/03/2010		
APP.		B	DWG. NO. 025-0000-0761-XXB
APP.			SCALE: NONE

REV	DATE	DESCRIPTION	DRW	APP
		See Filemaker		

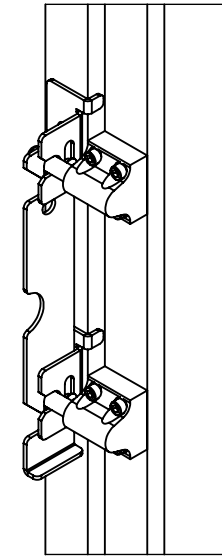
Assemble first



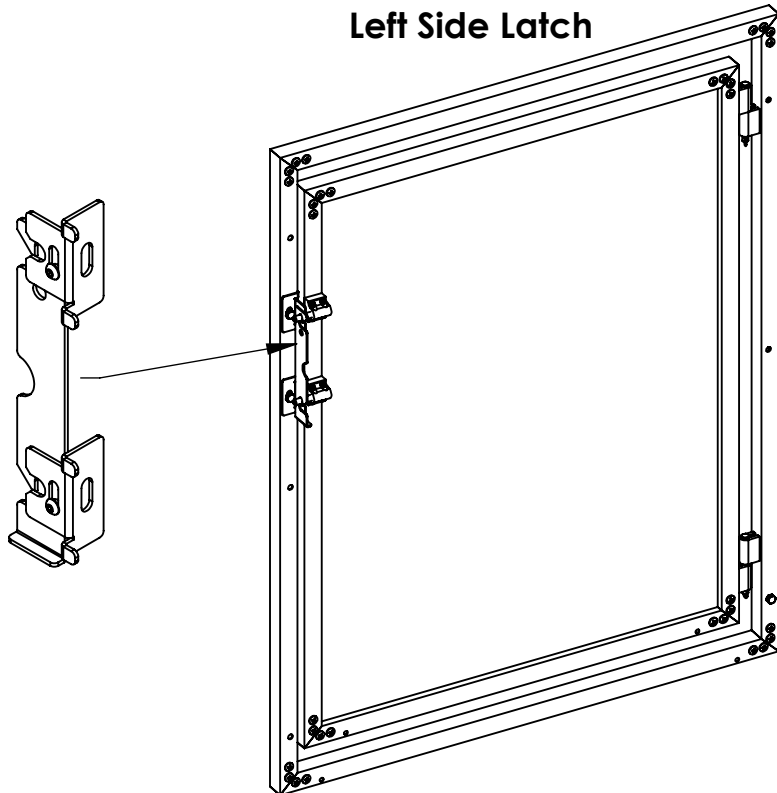
Assemble second



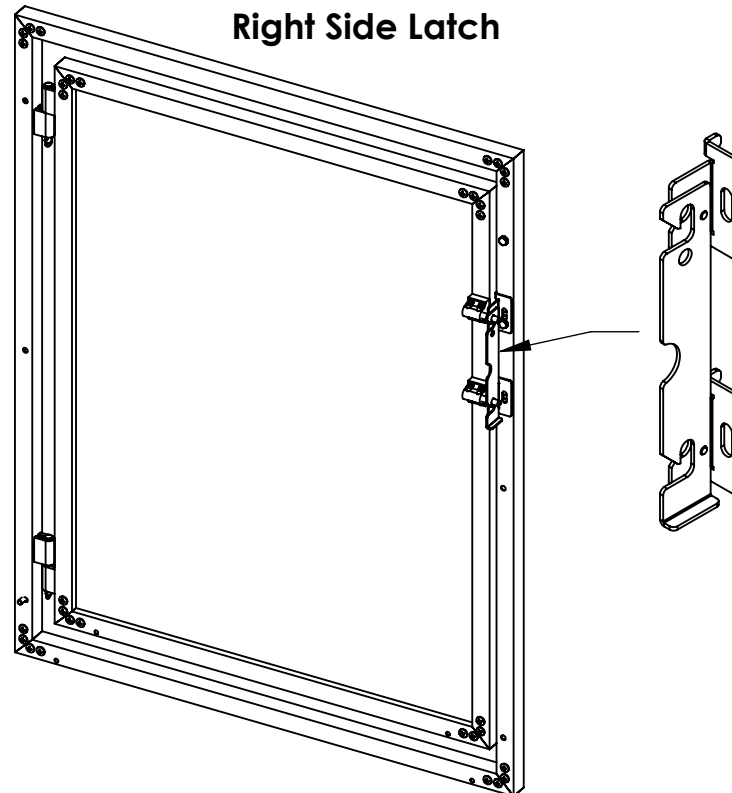
Assemble third
center pins in slots
and tighten bolts



Left Side Latch



Right Side Latch



Latch Assy can be ordered as either left or right or can be configured at installation



LARSON SYSTEMS INC.

10073 Baltimore St. NE PH. 763-780-2131
Mpls., MN 55449 FAX. 763-780-2182

APPROVALS	DATE	Swing Gate Systems	REV:
DRAWN DAL	10/03/2010		
APP.		B	DWG. NO. 025-0000-0761-XXB
APP.			SCALE: NONE